



# Security Systems



**GIMENEZ GANGA**

# ASESORIA

During 45 years we have equipped our company with the last technologies in manufacture methods, to obtain a product of 1<sup>a</sup> quality.

Now with the presentation of our new line we bet by singular design inside the market, making available of our clients a wide range in SECURITY SYSTEMS.

## Index

<u>Thermal Alugix-55</u>	pag. 01-02
<u>Soundless PS-55</u>	pag. 03-04
<u>Thermal PS-78</u>	pag. 05-06
<u>Security PS-79</u>	pag. 07-08
<u>Security PS-100</u>	pag. 09-10
<u>Self-locking PS-65</u>	pag. 11-12
<u>Self-locking PS-75</u>	pag. 13-14
<u>Self-locking PS-80</u>	pag. 15-16
<u>Self-locking PS-110</u>	pag. 17-18
<u>Angle System</u>	pag. 19-20
<u>Components</u>	pag. 21-22 23-24
<u>Security Guide Rails</u>	pag. 23-24



*Solutions for security ...*

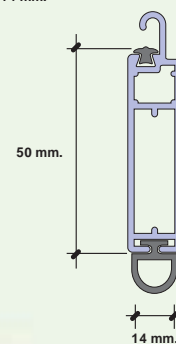
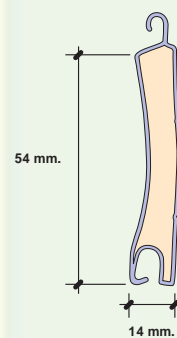
# Thermal Alugix-55



Aluminium profile filled with high density polyurethane foam, obtaining necessary resistance and qualities in the construction.

## Alugix-55 profiles

Maximum surface	15 m <sup>2</sup>
Maximum wide	3,50 m.
Maximum high	3,50 m.
Approximate weight	5 kg./m <sup>2</sup>
Minimum rolling axle diameter	60 mm.
Covering surface	54 m.
Nominal thickness	14 mm.
Number of slats in 1 m	18,5 lamas.
Aluminium thickness whitout painting	0,32 mm.
Density of polyurethane foam	190 Kg m <sup>3</sup>



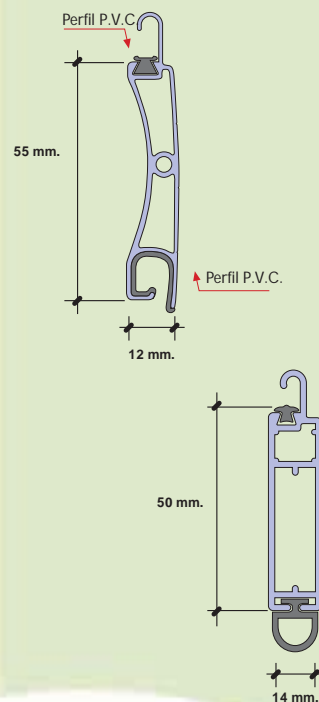
# Soundless PS-55





## PS-55 profiles

Maximum surface	16 m <sup>2</sup>
Maximum wide	4,0 m.
Maximum high	3,9 m.
Approximate weight	10 kg./m <sup>2</sup>
Minimum rolling axle diameter	60 mm.
Covering surface	55 m.
Aluminium thickness	12 mm.
Number of slats in 1 m	18 lamas.



Inside bar locking.

Outside bar locking.

### BAR LOCKING

- Position to the wished height.
- Security and resistance.
- Mechanized and inserted inside slat, preventing possible rubbing when rolling.



# Thermal PS-78



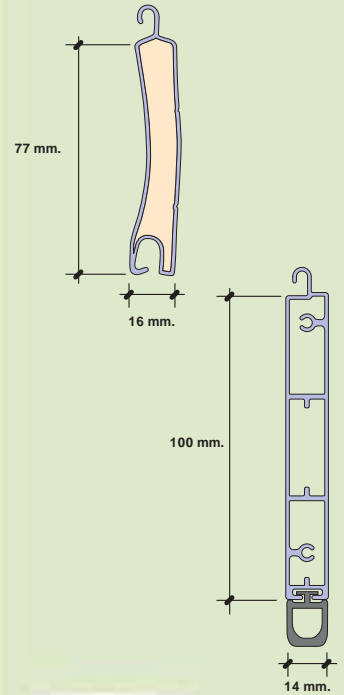


Aluminium profile filled with high density polyurethane foam, having resistance and optimum quality for construction.



## PS-78 profiles

Maximum surface	17 m <sup>2</sup>
Maximum wide	5,0 m.
Maximum high	3,50 m.
Approximate weight	5,5 kg./m <sup>2</sup>
Minimum rolling axle diameter	80 mm.
Covering surface	77 m.
Aluminium thickness	19,0 mm.
Number of slats in 1 m	13 lamas.
Aluminium thickness without painting	0,52 mm.
Density of polyurethane foam	190 Kg m <sup>3</sup>



# Security PS-79

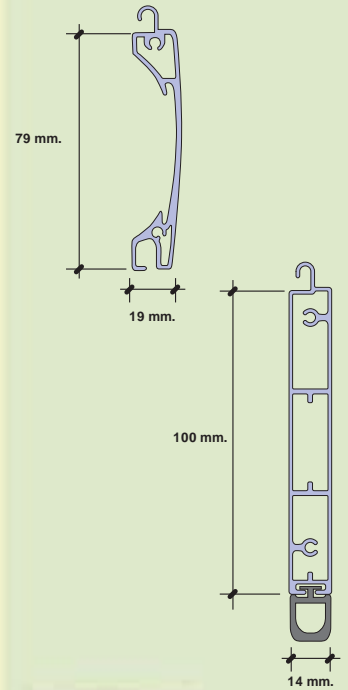


Thick extruded aluminium profile, which is special for large surfaces. It allows drilling for ventilation or fanlight with methacrylate.



## PS-79 profiles

Maximum surface	20 m <sup>2</sup>
Maximum wide	5,0 m.
Maximum high	4,0 m.
Approximate weight	12 kg./m <sup>2</sup>
Minimum rolling axle diameter	80 mm.
Covering surface	79 m.
Aluminium thickness	19,0 mm.
Number of slats in 1 m	13 lamas.



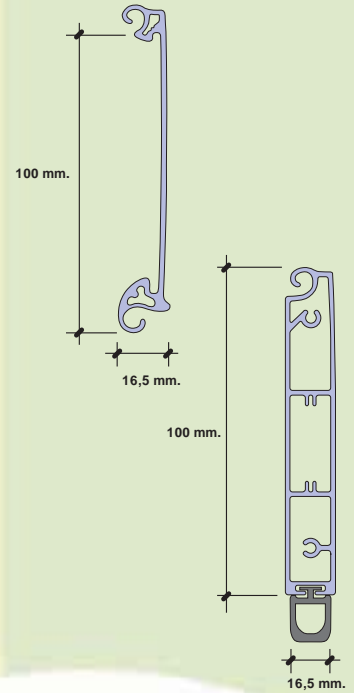
# Security PS-100



High resistant special blind made of aluminium recommended for business where both security and design are needed.

## PS-100 profiles

Maximum surface	20 m <sup>2</sup>
Maximum wide	5,00 m.
Maximum high	4,00 m.
Approximate weight	8 kg./m <sup>2</sup>
Minimum rolling axle diameter	130 mm.
Covering surface	100 m.
Aluminium thickness	16,5 mm.
Number of slats in 1 m	10 lamas.



Micro-drilling system, it allows to see inside with the same security.

# Self-Locking PS-65

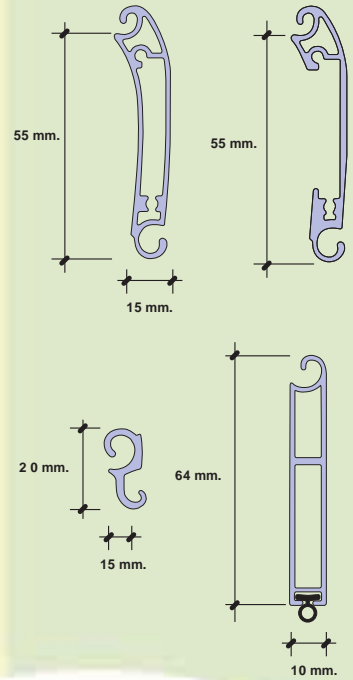


Extruded aluminium profile with self-locking, which almost avoids the possibility of breaking into. It allows drilling for ventilation or fanlight with methacrylate.



## PS-65 profiles

Maximum surface	14 m <sup>2</sup>
Maximum wide	4,00 m.
Maximum high	3,50 m.
Approximate weight	11 kg./m <sup>2</sup>
Minimum rolling axle diameter	70 mm.
Covering surface	65 m.
Aluminium thickness	15 mm.
Number of slats in 1 m	15 lamas.



# Self-Locking PS-75

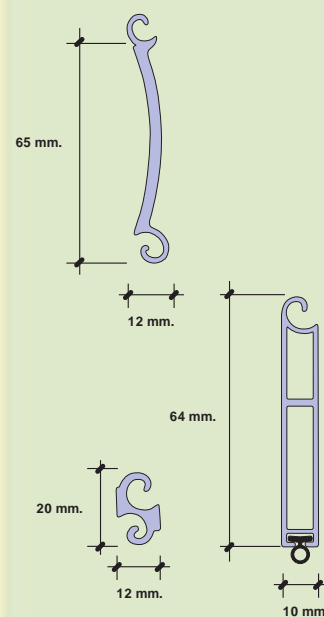




High resistant special blind made of aluminium recommended for business where both security and design are needed.

## profiles PS-75

Maximum surface	12,25 m <sup>2</sup>
Maximum wide	3,50 m.
Maximum high	3,50 m.
Approximate weight	10 kg./m <sup>2</sup>
Minimum rolling axle diameter	80 mm.
Covering surface	75 m.
Aluminium thickness	12 mm.
Number of slats in 1 m	14 lamas.



# Self-Locking PS-80

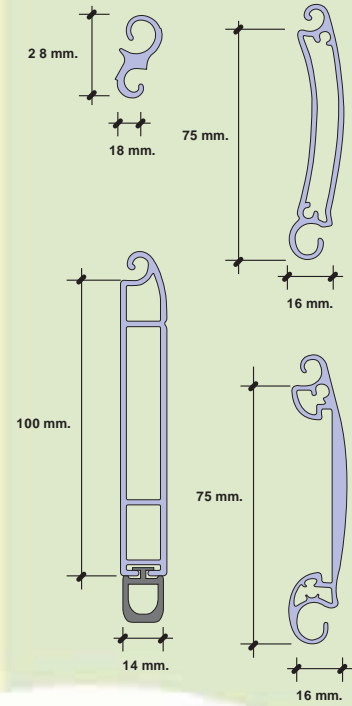


Extruded aluminium profile with self-locking, which almost avoids the possibility of breaking into. It allows drilling for ventilation or fanlight with methacrylate.



## PS-80 profiles

Maximum surface	30 m <sup>2</sup>
Maximum wide	5,00 m.
Maximum high	4,00 m.
Approximate weight	15 kg./m <sup>2</sup>
Minimum rolling axle diameter	100 mm.
Covering surface	85 m.
Aluminium thickness	18 mm.
Number of slats in 1 m	11 lamas.



# Self-Locking PS-1 10

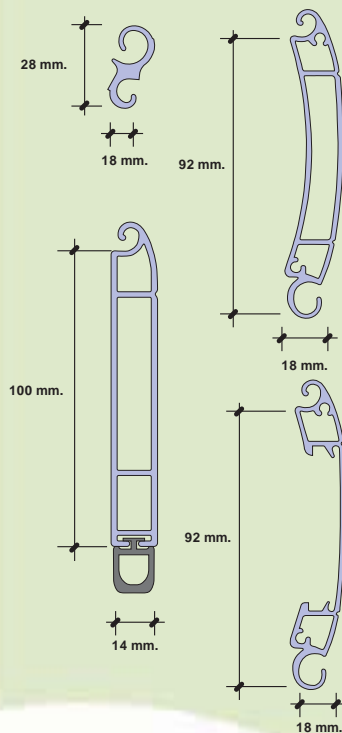


Extruded aluminium profile with self-locking, which almost avoids the possibility of breaking into. It allows drilling for ventilation or fanlight with methacrylate.



## PS-110 profiles

Maximum surface	30 m <sup>2</sup>
Maximum wide	6,00 m.
Maximum high	5,00 m.
Approximate weight	15 kg./m <sup>2</sup>
Minimun rolling axle diameter	130 mm.
Covering surface	110 m.
Aluminium thickness	18 mm.
Number of slats in 1 m	9 lamas.



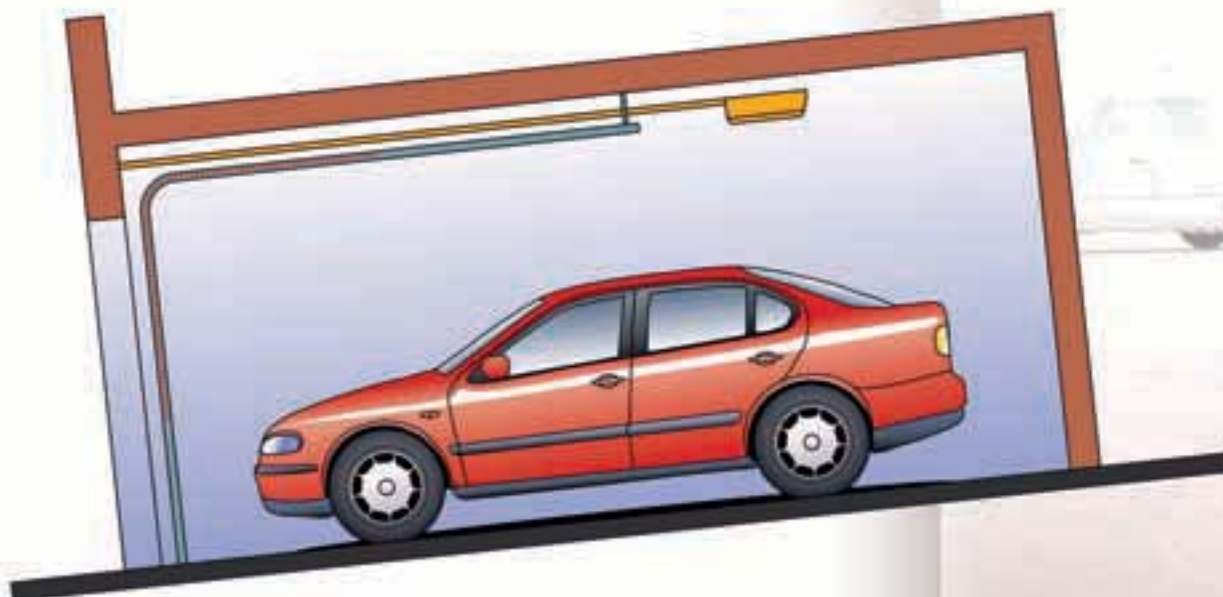
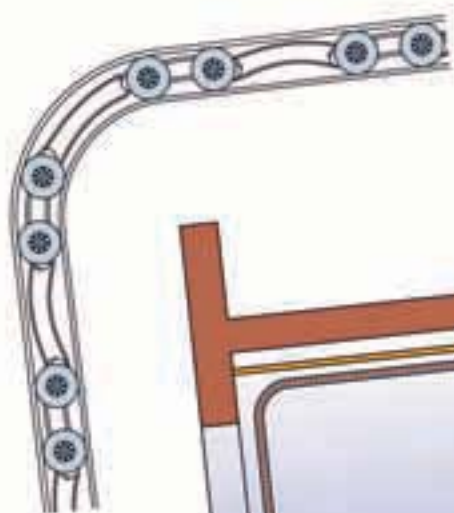
# Angle Door

Angle system give you a lot of advantages

Maximum high 240  $\updownarrow$

Maximum wide 320  $\leftrightarrow$

- For all kind of garages.
- Space-saving system when opening.
- Security system against obstacles.
- Thermal insulation and sound proofing.
- Optional installation of extra automatism.



- The system has to be requested considering the two possibilities, either manual or mechanized (the installation of the engine can be carried out subsequently).

• Wide range of colours.



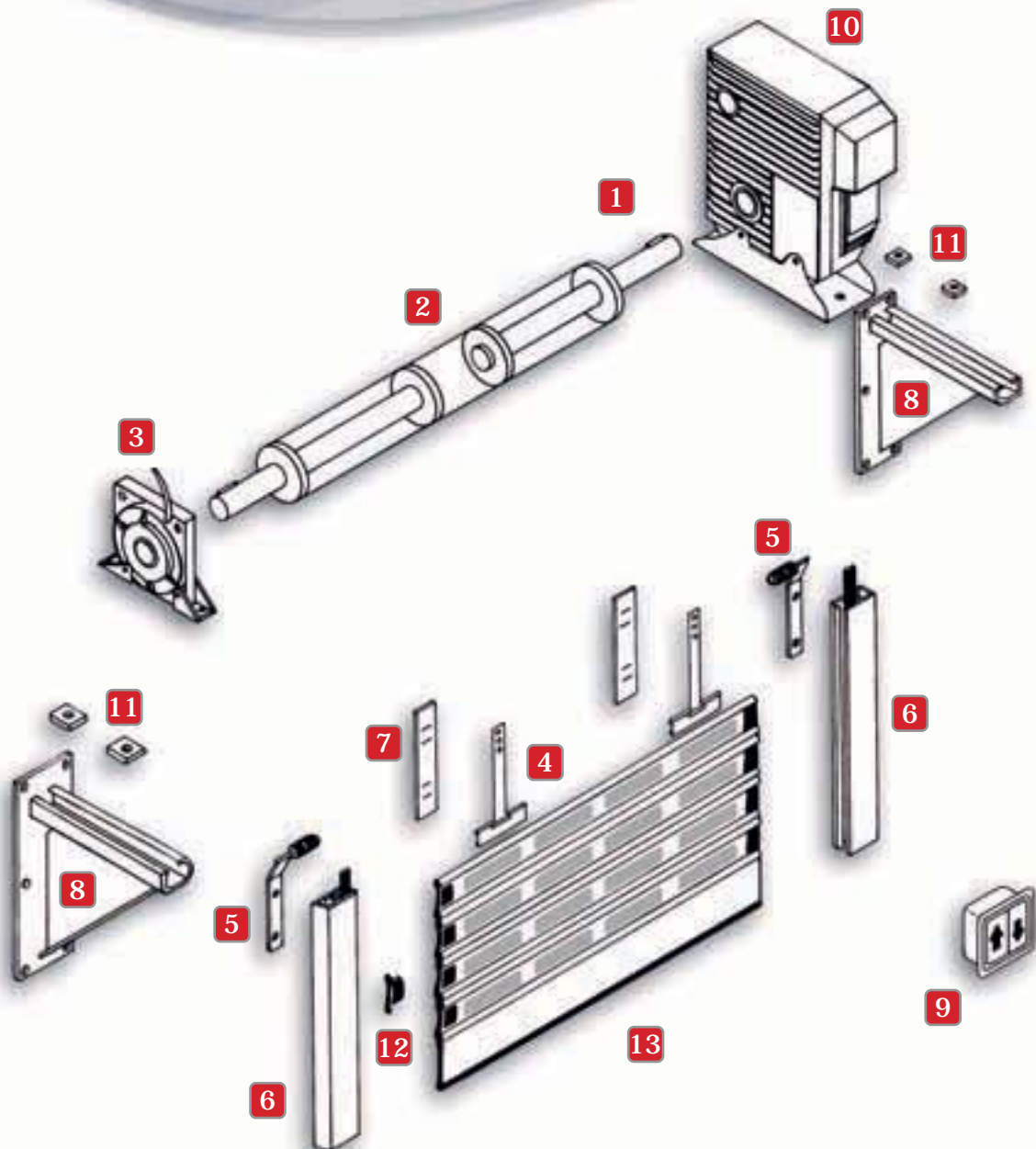
• Lock with key in end-slat.



• Motor with manual unblocked (when there isn't electricity).



# Installation with square and lateral motor



## Components

1-Double axle  
2-Axle  
3-Breaking system  
4-Special spring

5-Sliding roller guide entry  
6-Aluminium guide rail  
7-Rubber protective band  
8-Adjustable side squares

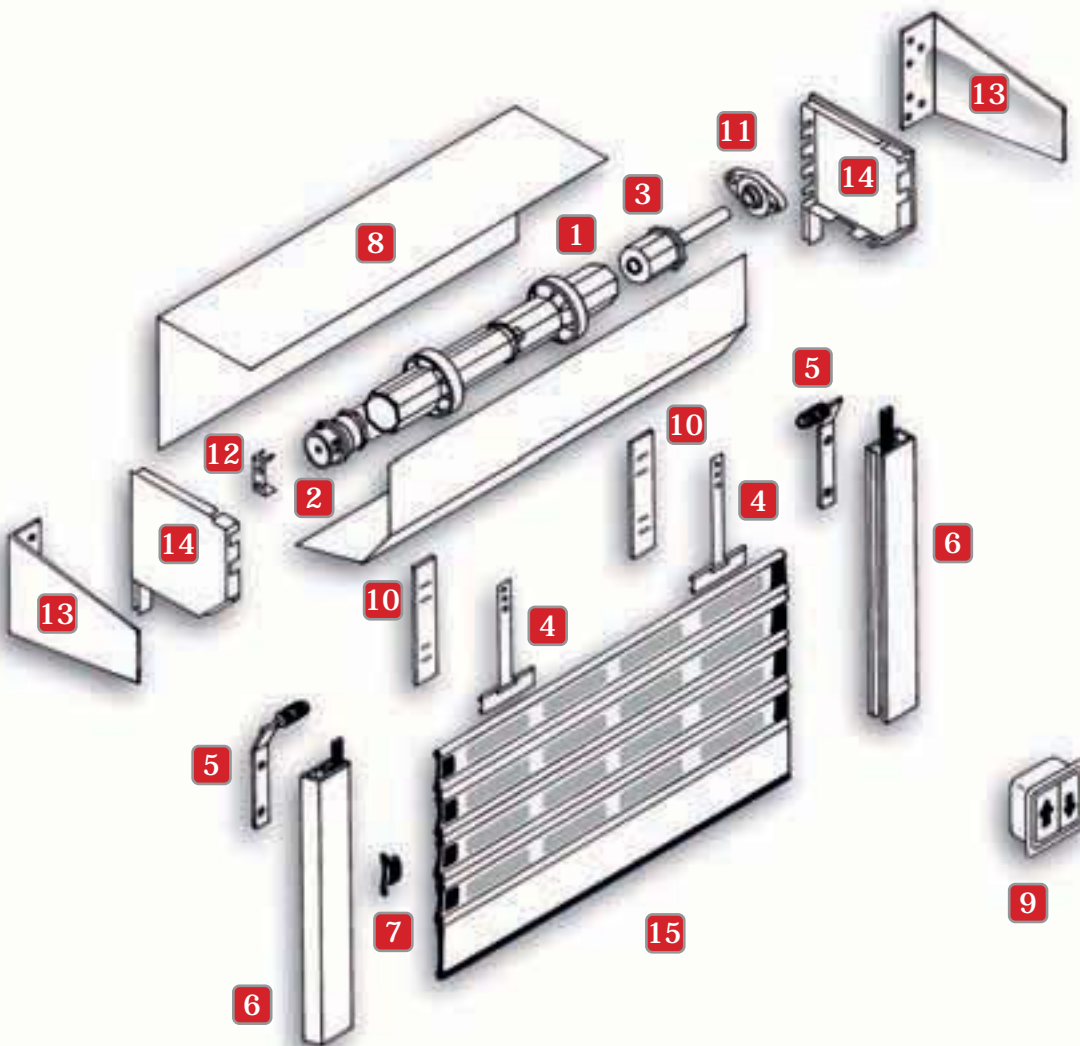
9-Switch  
10-Lateral motor  
11-Objects fixing motor  
and breaking system

12-Non-sliding taps  
13-End slat



# Installation with aluminium box

## Components

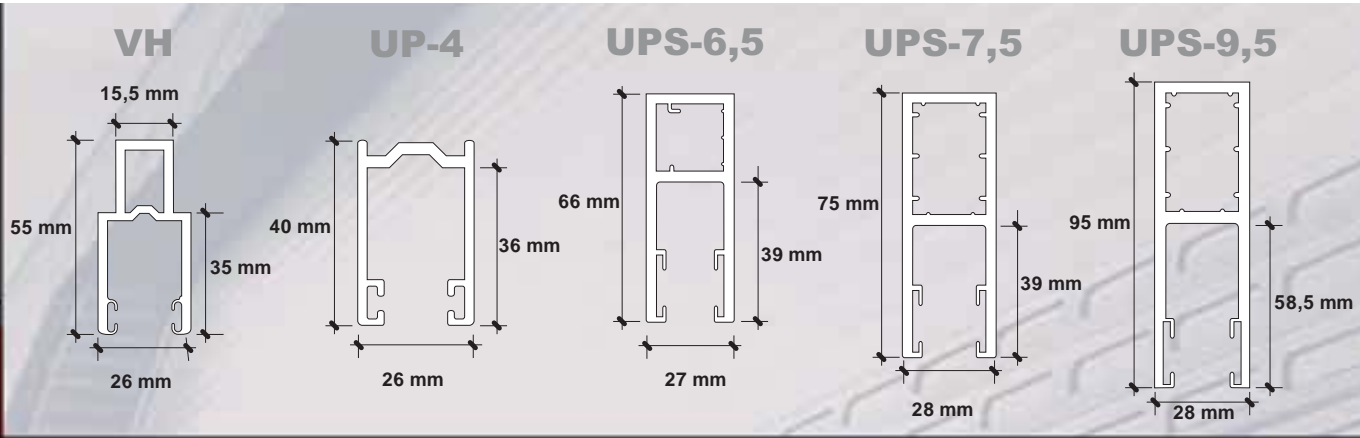


- 1-Axle
- 2-Tubular motor
- 3-Roller cap
- 4-Special spring

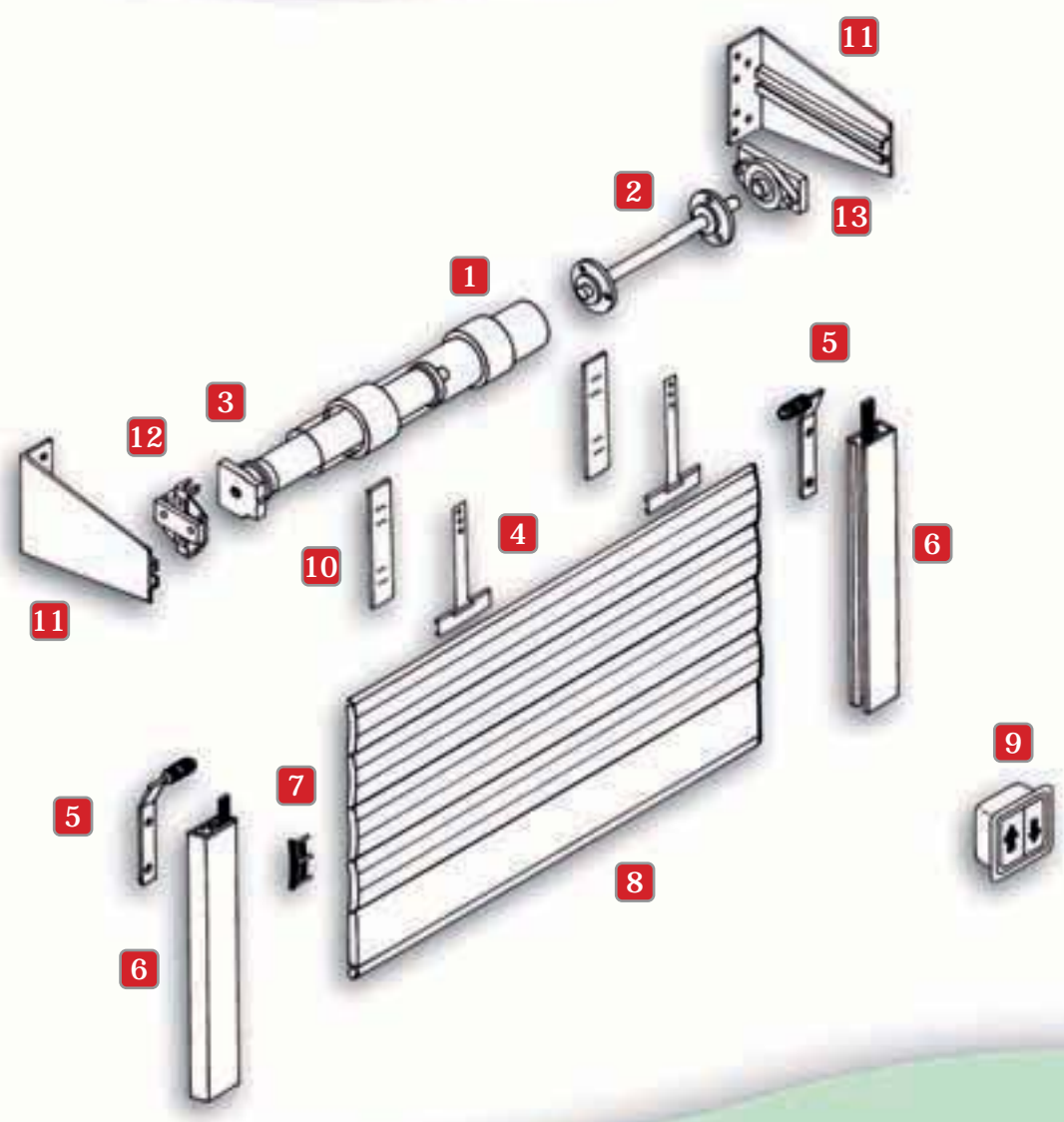
- 5-Sliding roller guide entry
- 6-Aluminium guide rail
- 7-Non-sliding taps
- 8-Aluminium box

- 9-Switch
- 10-Rubber protective band
- 11-Ball bearing for axle
- 12-Motor bracket

- 13-Box support bracket
- 14-End of cap
- 15-End-slat



Installation with adjustable squares



### Components

- 1-Axle
- 2-Roller cap
- 3-Tubular motor
- 4-Special spring
- 5-Sliding roller guide entry
- 6-Aluminium guide rail
- 7-Non-sliding taps
- 8-End slat
- 9-Switch
- 10-Rubber protective band
- 11-Adjustable squares
- 12-Motor bracket
- 13-Ball bearing for axle

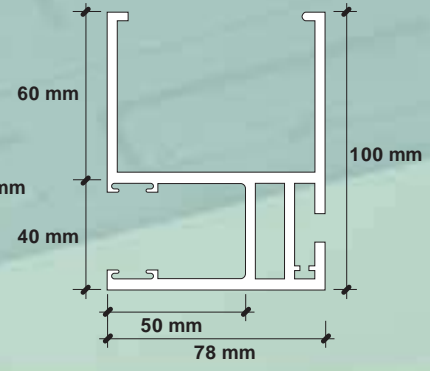
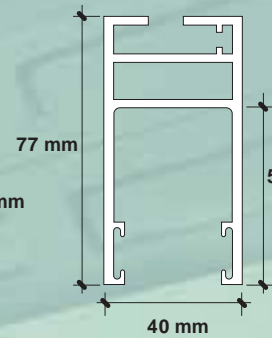
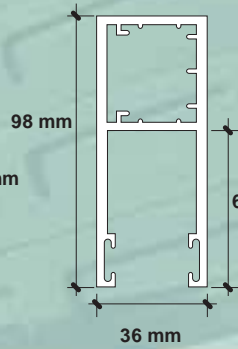
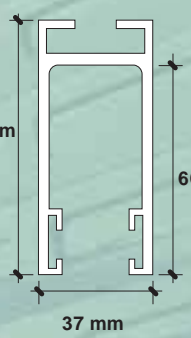
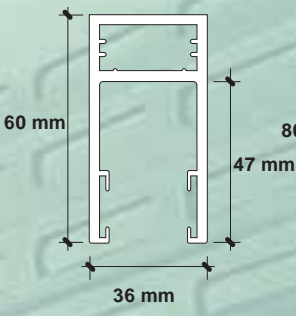
GE-36/60

GE-36/80

GE-36/100

GE-40/70

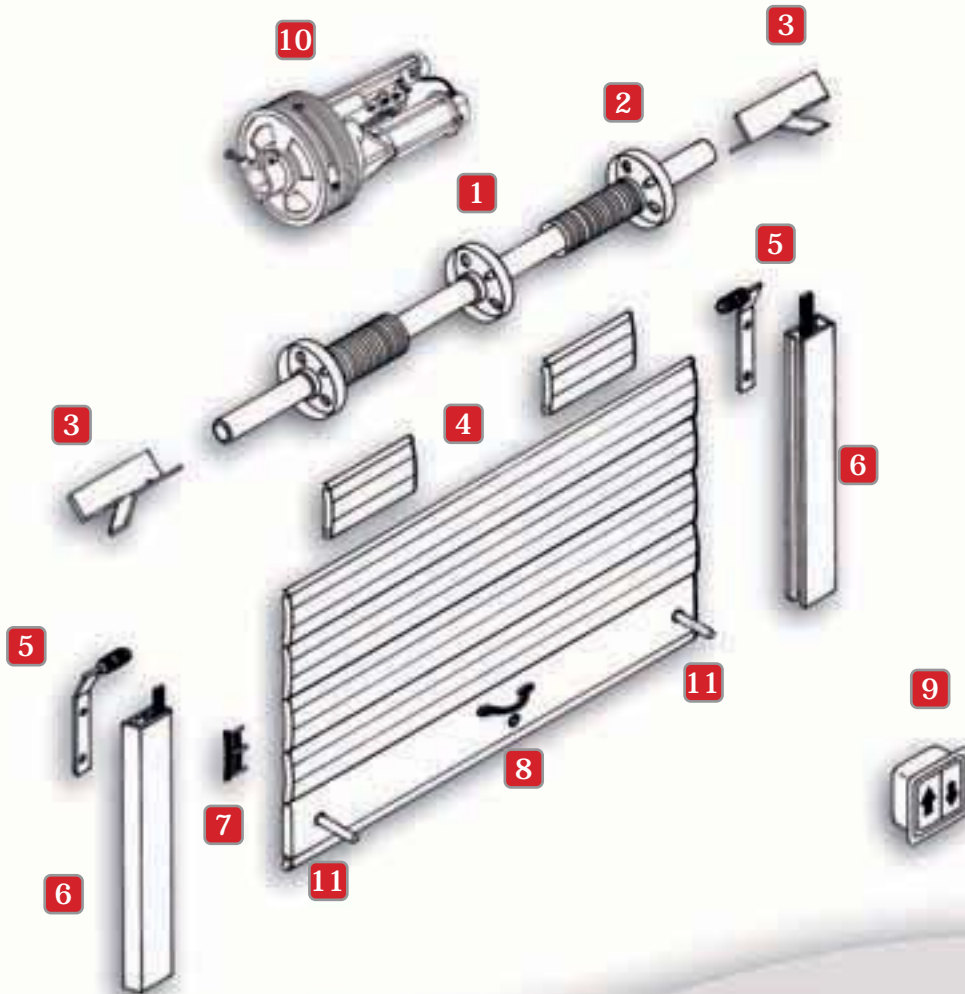
GE-100/77



# Installation spring motioned

Motor option

## Components



- 1-Axle with spring
- 2-P.V.C. pulley
- 3-Side support
- 4-Superior slat

- 5-Sliding roller guide entry
- 6-Aluminium guide rail
- 7-Non-sliding taps
- 8-Handle and locking

- 9-Switch
- 10-Central motor
- 11-Rubber stoppers



## NATIONAL

PERSITRONIK S.L...L.  
33438 Prendes (Careño) (Asturias) \_\_\_\_\_ Tlfno.: 985 88 73 00 Fax: 985 88 79 71  
www.persitronik.com info@persitronik.com

PERSIANAS LUSER, S.L.  
13420 Malagón (Ciudad Real) \_\_\_\_\_ Tlfno.: 926 266 015 Fax: 926 266 016  
www.persianasluser.com info@persianasluser.com

PERSIANAS ROGIPER, S.L.  
29196 (Málaga) \_\_\_\_\_ Pol. Ind. Santa Teresa, C/ Caleta de Velez, 64 A-B  
Tlfno.: 952 105 351 Fax: 952 243 799  
www.rogiper.com info@rogiper.com

C.F. TU-PER S.L.  
08150 Parets del Vallès (Barcelona) \_\_\_\_\_ Poligono Ind. Can Volart,  
C/. Garbí Nave 3 y 5  
Tlfno.: 93 573 02 23 Fax: 93 573 13 80  
www.tuper.es tuper@tuper.es

PERSIANAS OLIVARES, S.L.U.  
13610 Campo de Criptana (Ciudad Real) \_\_\_\_\_ Poligono Industrial "Pozo-Hondo"  
Avda. Castilla León, parcela 36  
Tlfno.: 926.56.41.99 \* Fax: 926.56.37.65  
www.persianasolivares.com  
info@persianasolivares.com

GIMENEZ MAYERO, S.L.  
10300 Navalморal de la Mata (Cáceres) \_\_\_\_\_ Carretera de Jarandilla, 54  
Tlfno.: 927.53.36.76 \* Fax: 927.53.80.36  
www.persianasgima.com  
info@persianasgima.com

PERSIANAS CALELLA S.L.  
08380 Malgrat de Mar (Barcelona) \_\_\_\_\_ Poligono Industrial "Can Patalina"  
Avda. Francesc Sanllehi i Bosch, 40  
Tlfno.: 937.61.91.23 \* Fax: 937.61.91.39  
www.persianascalella.com  
info@persianascalella.com

GIMENEZ GANGA MADRID, S.L.  
45210 - Yuncos (Toledo) \_\_\_\_\_ Poligono Industrial "Villa de Yuncos"  
Avda. de los Austrias, 10 - Nave 94  
Tlfno.: 925.53.61.72 \* Fax: 925.52.51.69  
www.gimenezgangamadrid.com  
info@gimenezgangamadrid.com

PERSILOMA, S.L.  
23400 - Ubeda (Jaén) \_\_\_\_\_ Poligono Industrial "Los Cerros de Ubeda"  
C/ Ceramica, 7  
Tlfno.: 953.79.30.65 \* Fax: 953.79.64.74  
www.persiloma.com  
info@persiloma.com

PERSIANAS Y MONTAJES AREA 2, S.L.  
01171 Legutiano - Villarreal (Alava) \_\_\_\_\_ Poligono Industrial "Gojain"  
C/ San Antolin, 17  
Tlfno.: 945.46.60.34 \* Fax: 945.46.50.54  
area2@euskalnet.net

## INTERNATIONAL

PUVECEL INTERNACIONAL S.A. DE CV.  
45010 Zapopan Jalisco (Mexico) \_\_\_\_\_ Calzada Paraisos, nº 7014  
Colonia Ciudad Granja  
Tlfno. 523.33.62.73.193 Fax: 523.33.62.73.194  
www.puvecelmexico.com  
info@puvecelmexico.com

ESTORES LIMITE, LDA.  
4440 Valongo (Portugal) \_\_\_\_\_ Zona Industrial da Gandra  
Rua da Industria, 200/218/240 (230-Campo)  
Tlfno.: 351-224.159.958 Fax: 351-224.159.960

GRUPO D.A.P.  
San Justo 1754 Buenos Aires (Argentina) \_\_\_\_\_ FABRICA: Pte. J.D. Perón 1927/29  
San Justo - 1754  
Tlfno: 54-11-4461-6446 \* Fax: 54-11-4461-6336  
www.dap.com.ar  
info@dap.com.ar  
ALMACEN: Eva Perón 1927/29  
1704-Damos Mejias  
Tlfno. y Fax: 54 11 464 71771



GIMENEZ GANGA

Autovía de levante, km.42  
03630-Sax (Alicante) ESPAÑA  
Tlfno: +34 965 474 050-965 474 205  
Fax: 965 474 563  
info@gimenezganga.com



OFICINA BARCELONA  
Edifici Centre Serveis El Plá  
C/. Plá, 166 despacho 13  
08980 Sant Feliú Llobregat - BARCELONA  
Tel.: 93 632 69 85  
Fax: 93 632 69 86  
barcelona@gimenezganga.com

www.gimenezganga.com